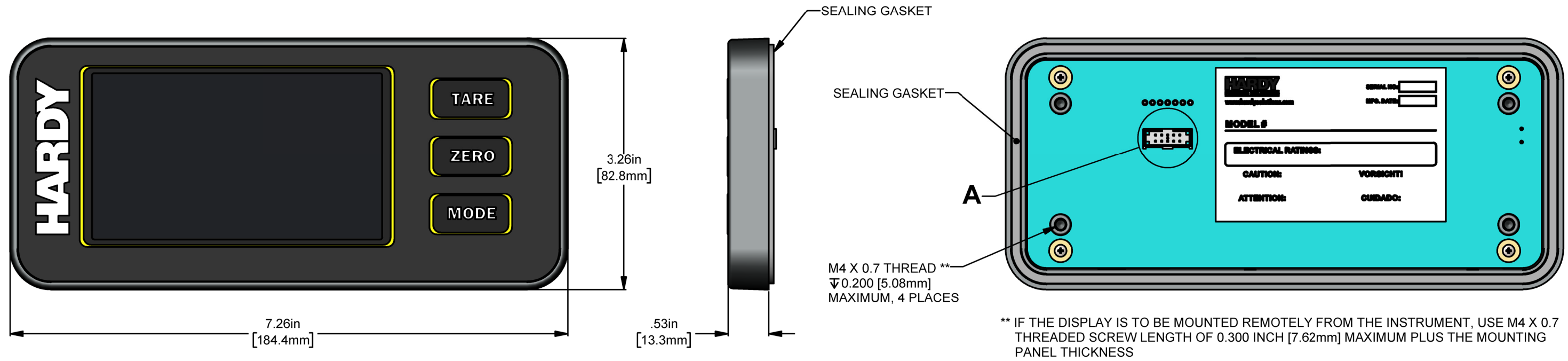


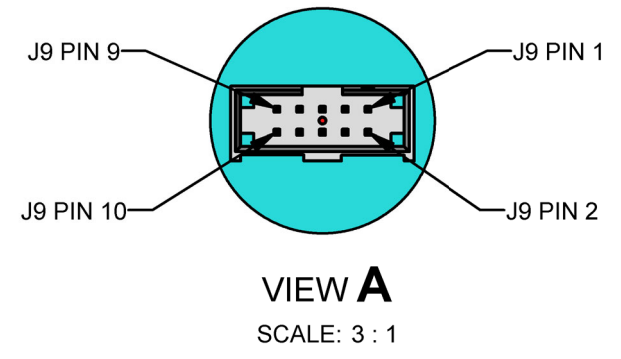
REV.	ECO/DDC	DESCRIPTION	DATE	DRAFT	CHECK	APVD
A	---	RELEASED.	10-12-23	V.J.C.	L.N.	V.J.C.

HI 6130 SERIES 4.3 INCH TOUCH SCREEN DISPLAY



FRONT PANEL DISPLAY TERMINATIONS

- NOTES:
1. INPUT VOLTAGE RATING: 12-24 VDC, 1.4 WATTS MAXIMUM.
 2. SEE USER'S GUIDE FOR ADDITIONAL INFORMATION ON FRONT PANEL DISPLAY TERMINATIONS. USER'S GUIDE IS LOCATED ON HARDY PROCESS SOLUTIONS WEB SITE.
 3. CONNECTOR J9 UTILIZES A 10 POSITION DISPLAY INTERFACE RIBBON CABLE THAT IS INCLUDED IN DISPLAY HARDWARE KIT.

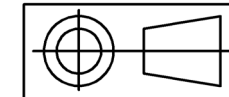


J9 CONNECTION CHART	
PIN NUMBER	SIGNAL NAME
1	V+
2	V+
3	CHASSIS GND
4	TXD-
5	TXD+
6	NO CONNECTION
7	RXD+
8	RXD-
9	GND
10	GND
RIBBON CABLE CONNECTOR	

3. IF THE HI 6130 DISPLAY IS USED IN A MANNER NOT SPECIFIED BY HARDY PROCESS SOLUTIONS, THE PROTECTION PROVIDED BY THE DISPLAY MAY BE IMPAIRED.
2. SEE SHEET 2 FOR PANEL MOUNTING DIMENSIONS AND HARDWARE INSTALLATION.
1. SEE HARDY PROCESS SOLUTIONS WEB SITE FOR ADDITIONAL MOUNTING AND WIRING INFORMATION.

NOTES: UNLESS OTHERWISE SPECIFIED

PROPRIETARY NOTICE
ALL DATA AND INFORMATION CONTAINED IN OR DISCLOSED BY THIS DOCUMENT IS CONFIDENTIAL AND PROPRIETARY INFORMATION OF HARDY PROCESS SOLUTIONS AND ALL RIGHTS THEREIN ARE EXPRESSLY RESERVED. BY ACCEPTING THIS MATERIAL THE RECIPIENT AGREES THAT THIS MATERIAL AND THE INFORMATION CONTAINED THEREIN IS HELD IN CONFIDENCE AND IN TRUST AND SHALL NOT BE USED, COPIED, REPRODUCED IN WHOLE OR IN PART, NOR ITS CONTENTS REVEALED IN ANY MANNER TO OTHERS, EXCEPT TO MEET THE SPECIFIC PURPOSE FOR WHICH IT WAS DELIVERED.



ITEM	QTY	PART NUMBER	DESCRIPTION	COMMENTS
		0584-0114	INSTALLATION/INTERCONNECTION DIAGRAM, HI 6130 4.3" DISPLAY	SEE NOTES
PARTS LIST				
UNLESS OTHERWISE SPECIFIED DIMENSIONS ARE IN INCHES TOLERANCES ARE: FRACTIONS: N/A DECIMALS: .XX = ±.03 .XXX = ±.010 ANGLES ±0°, 30°		CONTRACT NO. APPROVALS DRAWN V. CHULA DATE 10-11-23 CHECKED L. NICDAO DATE 10-12-23 APPROVED V. CHULA DATE 10-12-23 ISSUED V. CHULA DATE 10-12-23 PRODUCTION DATE		HARDY PROCESS SOLUTIONS TITLE INSTALLATION/INTERCONNECTION DIAGRAM, HI 6130 4.3" DISPLAY
MATERIAL		FINISH		
DO NOT SCALE DRAWING		SIZE D	FSCM 21316	DRAWING NO. 0584-0114
		FILE NAME: 0584-0114A1.SLDDRW	SCALE: NONE	SHEET 1 OF 2

HI 6130 SERIES 4.3 INCH TOUCH SCREEN DISPLAY

PN 0551-0687-01-0 HI 6800 SERIES DISPLAY MOUNTING HARDWARE KIT INCLUDES THE FOLLOWING COMPONENTS (MOUNTING HARDWARE KIT MUST BE ORDERED SEPARATELY):

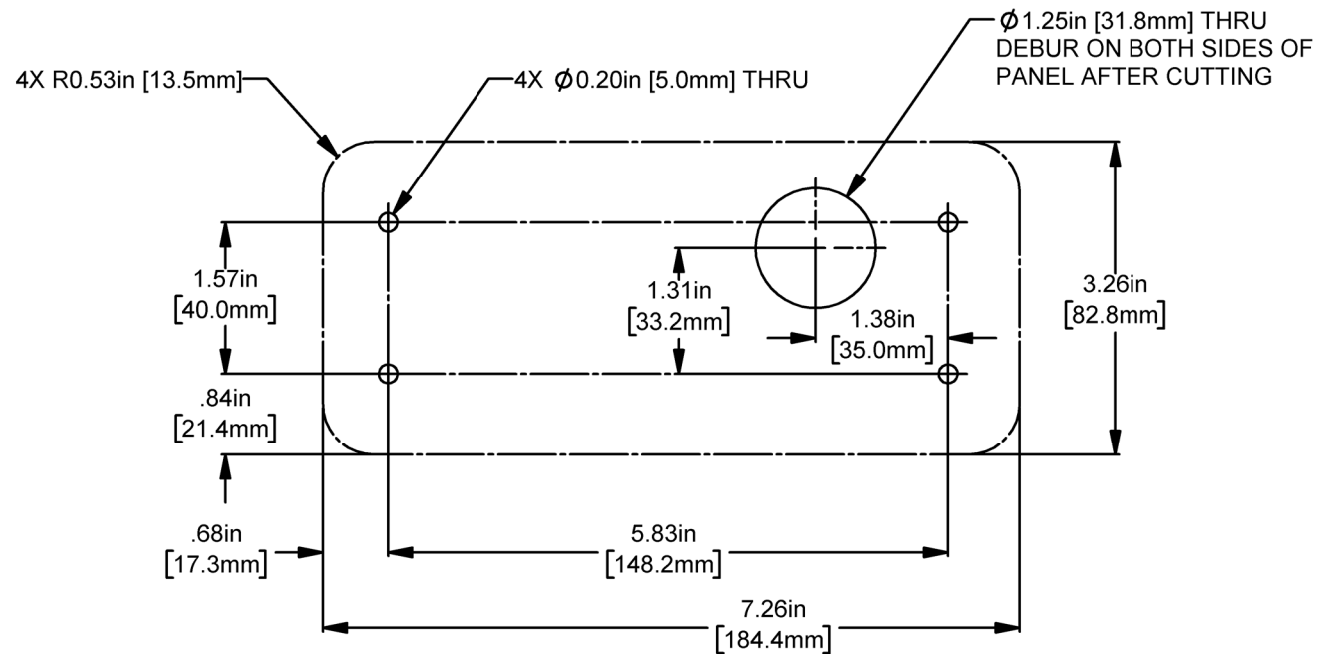
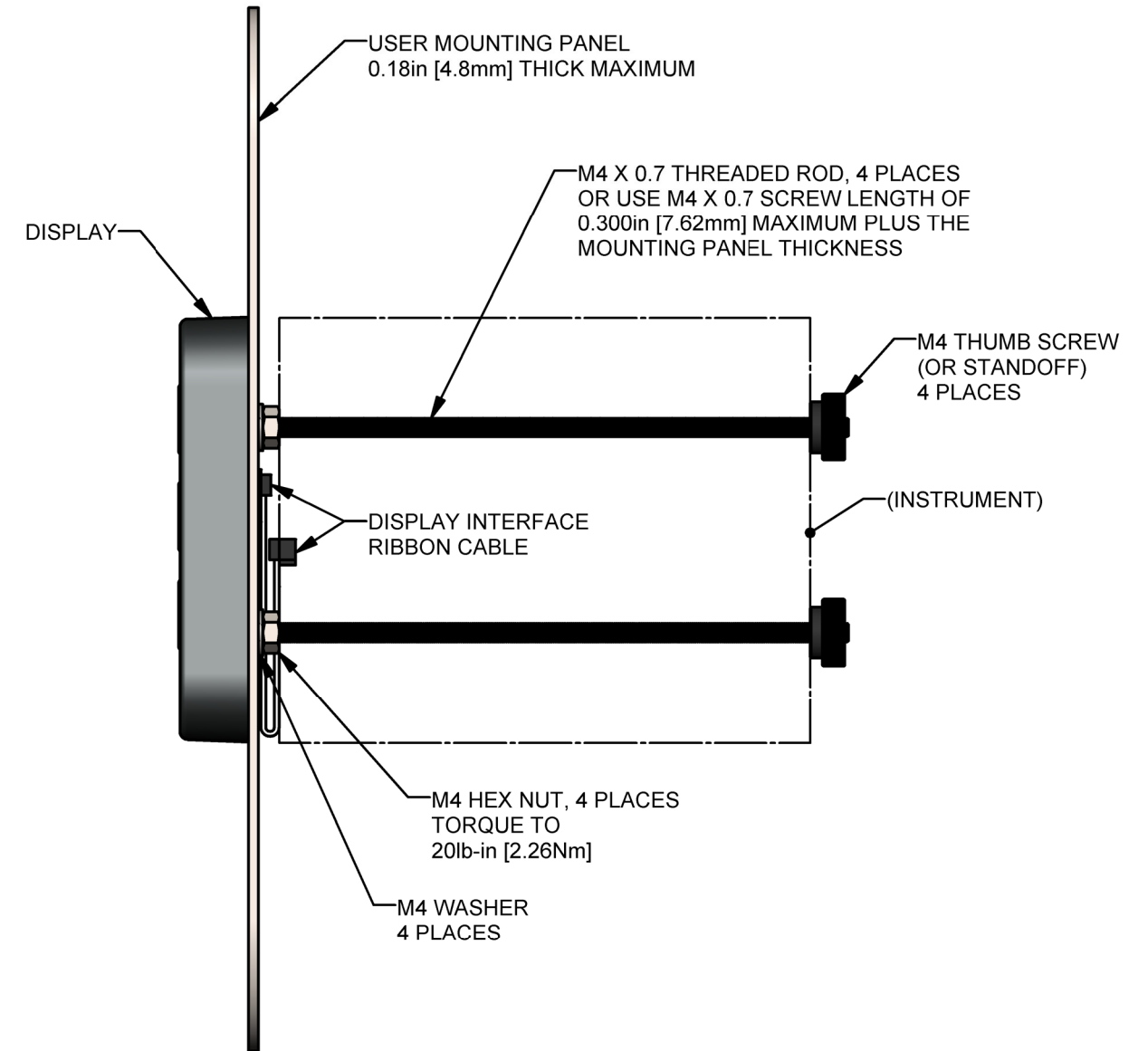
1. 4.00 INCH [101.6mm] LONG 10 POSITION DISPLAY INTERFACE RIBBON CABLE; QTY 1 (INTERFACES TO J9).
2. M4 X 0.7 X 115mm LONG THREADED RODS, QTY 4.
3. M4 FLAT WASHERS; QTY 4.
4. M4 X 0.7 HEX NUTS; QTY 4.
5. M4 X 0.7 THREADED THUMB NUTS; QTY 4.
6. SEE HARDY PROCESS SOLUTIONS WEB SITE FOR FURTHER INFORMATION.

PN 0551-0687-02-0 HI 6850 SERIES DISPLAY MOUNTING HARDWARE KIT INCLUDES THE FOLLOWING COMPONENTS (MOUNTING HARDWARE KIT MUST BE ORDERED SEPARATELY):

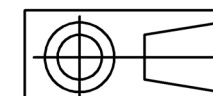
1. 4.00 INCH [101.6mm] LONG 10 POSITION DISPLAY INTERFACE RIBBON CABLE; QTY 1 (INTERFACES TO J9).
2. M4 X 0.7 X 126mm LONG THREADED RODS, QTY 4.
3. M4 FLAT WASHERS; QTY 4.
4. M4 X 0.7 HEX NUTS; QTY 4.
5. M4 X 0.7 THREADED THUMB NUTS; QTY 4.
6. SEE HARDY PROCESS SOLUTIONS WEB SITE FOR FURTHER INFORMATION.

PN 0551-0687-03-0 HI 6501 SERIES DISPLAY MOUNTING HARDWARE KIT INCLUDES THE FOLLOWING COMPONENTS (MOUNTING HARDWARE KIT MUST BE ORDERED SEPARATELY):

1. 4.00 INCH [101.6mm] LONG 7 POSITION DISPLAY INTERFACE CABLE; QTY 1 (INTERFACES TO J9).
2. M4 X 0.7 X 40mm LONG THREADED RODS, QTY 4.
3. M4 FLAT WASHERS; QTY 4.
4. M4 X 0.7 HEX NUTS; QTY 4.
5. M4 X 0.7 X 10mm LONG FEMALE STANDOFFS; QTY 4.
6. SEE HARDY PROCESS SOLUTIONS WEB SITE FOR FURTHER INFORMATION.



HI 6130 SERIES 4.3" DISPLAY MOUNTING DIMENSIONS
(VIEWED FROM THE FRONT OF THE INSTRUMENT MOUNTING PANEL)



HARDY PROCESS SOLUTIONS			
TITLE INSTALLATION/INTERCONNECTION DIAGRAM, HI 6130 4.3" DISPLAY			
SIZE	FSCM	DRAWING NO.	REV.
D	21316	0584-0114	A
FILE NAME: 0584-0114A1.SLDDRW		SCALE: NONE	SHEET 2 OF 2